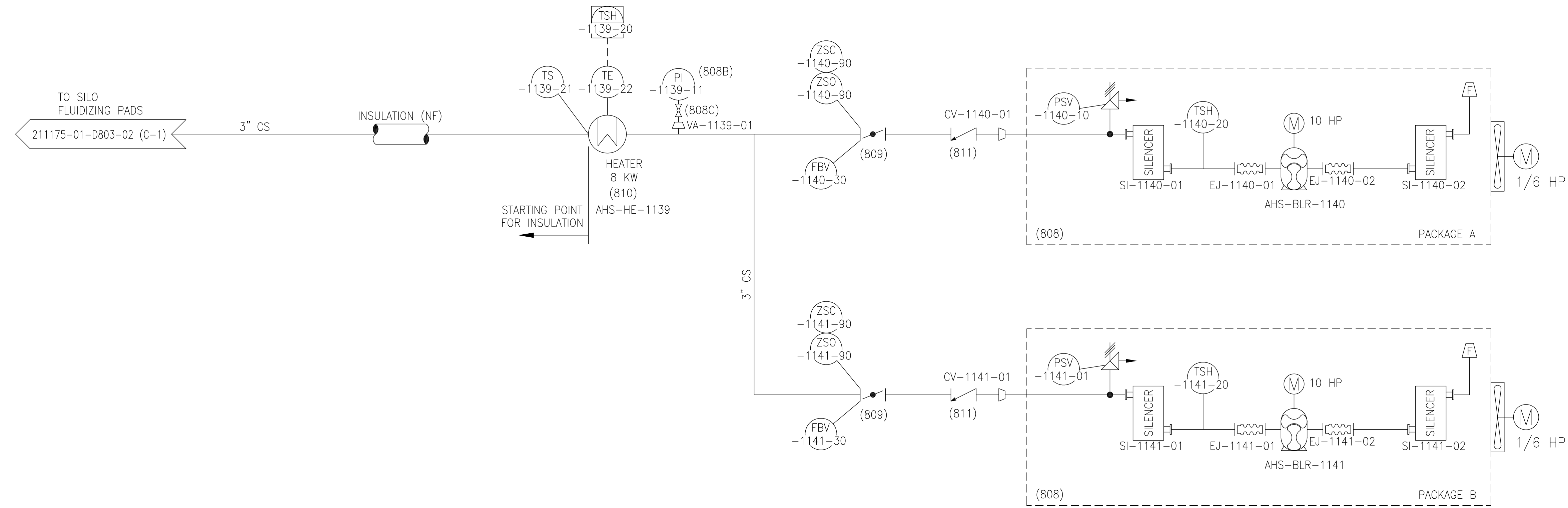


### VACUUM BLOWERS

815 ICFM @ 9.5" HG



### SILO AERATION BLOWERS

91 ICFM @ 13 PSIG

REFERENCES	E-7761	P & ID LEGEND
DWG.		TITLE

REV.	DATE	REV. BY	CKD. BY	ENG. APP.	ENG. APP.	REVISION RECORD
A	10/17/11	NAC	RJR	RJR	RTS	REVISED PER CUSTOMER M/P

DRAWN BY	PMD	9/30/11
CHECKED BY	RJR	9/30/11
MECH. APP.	RJR	9/30/11
STRUCT. APP.		
ELECT. APP.	RTS	9/30/11

**Allen-Sherman-Hoff**  
 A Division of Diamond Power International, Inc.  
 EXTON, PENNSYLVANIA, U.S.A.

© 2010 DIAMOND POWER INTERNATIONAL, INC. ALL RIGHTS RESERVED.  
 THIS DRAWING IS THE PROPERTY OF DIAMOND POWER INTERNATIONAL, INC. (DPI) AND ITS USE IS GOVERNED BY THE TERMS AND CONDITIONS OF THE CONTRACT FOR WHICH IT WAS CREATED. DPI GRANTS A NON-EXCLUSIVE LICENSE TO USE, REPRODUCE AND DISTRIBUTE THIS DRAWING SOLELY FOR THE MAINTENANCE, REPAIR AND OPERATION, AND FOR SOLICITING BIDS FOR THE ERECTION OF, THE EQUIPMENT DISCLOSED HEREIN.

P & ID  
**FLY ASH HANDLING SYSTEM**  
 FAGEN, INC.  
 GAINESVILLE RENEWABLE ENERGY CENTER  
 GAINESVILLE, FLORIDA

SCALE	NONE
CONTRACT	21117501
DWG	211175-01-D803-01
REV	A